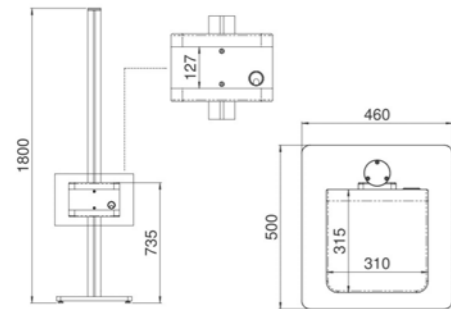


Specifications

FS-1

Baseplate colour	Grey		
Column colour	Silver Grey		
Cabinet colour	Dark Grey		
Lamp	220V, white plastic cover		
Dimensions	460 mm (W) x 500 mm (D) x 1800 mm (H)		
Weight (column & base)	53,5 Kg		
Phoropter support	VT-670	VT-671	VT-72
Load capacity range	4.5 to 10 Kg (adjustable)		
Stroke of phoropter arm	+ 43" / - 15"		
Max. horizontal rotation	Free		
Positioning lock	Mechanical	Counterbalanced	Auto stop
Net weight of phoropter arm	6.6 Kg	6.6 Kg	9 Kg
Linear movement	Manual		
Cable management kit	Optional		
OC Ophthalmic chairs	OC-6	OC-10	OC-12
Reclining	No		
Max seat rotation	118,5"	120"	
Foldable armrest	Yes		No
Stroke (measured at seat plane)	Min. 460 mm / Max. 560 mm	Min. 465 mm / Max. 636 mm	
Footrest	Optional		
Max load capacity	175 Kg		
Net weight OC	30 Kg	39 Kg	37 Kg
Power	220V - 240V AC / 50-60 Hz		230V AC / 50-60 Hz
Electrical classification	Class I, Type B		

Dimensions



IMPORTANT Subject to change in design and/or specifications without advanced notice.
In order to obtain the best results with this instrument, please be sure to review all user instructions prior to operation.

Topcon Europe Medical B.V.
Essebaan 11, 2908 LJ Capelle a/d IJssel; P.O. Box 145;
2900 AC Capelle a/d IJssel; The Netherlands
T: +31-(0)10-4585077; F: +31-(0)10-4585045
medical@topcon.eu; www.topcon-medical.eu

Topcon España S.A.
Frederic Mompou, 4;
08960 Sant Just Desvern; Barcelona, Spain
T: +34-93-4734057; F: +34-93-4733932
medica@topcon.es; www.topcon.es

Topcon Deutschland Medical GmbH
Hanns-Martin-Schleyer Strasse 41;
D-47877 Willich, Germany
T: (+49) 2154-885-0; F: (+49) 2154-885-177
Info@topcon-medical.de; www.topcon-medical.de

Topcon Ireland
Unit 276, Blanchardstown; Corporate Park 2
Ballycoolin; Dublin 15, Ireland
T: +353-18975900; F: +353-18293915
medical@topcon.ie; www.topcon.ie

Topcon Danmark
Praestemarksvej 25; 4000 Roskilde, Danmark
T: +45-46-327500; F: +45-46-327555
info@topcon.dk; www.topcon.dk

Topcon Italy
Viale dell'Industria 60;
20037 Paderno Dugnano, (MI) Italy
T: +39-02-9186671; info@topcon.it;
www.topcon.it

Topcon Polska Sp. z o.o.
ul. Warszawska 23; 42-470 Siewierz; Poland
T: +48-(0)32-670-50-45; F: +48-(0)32-671-34-05
www.topcon-polska.pl

Topcon Scandinavia A.B.
Neongatan 2; P.O. Box 25; 43151 Mölndal, Sweden
T: +46-(0)31-7109200; F: +46-(0)31-7109249
medical@topcon.se; www.topcon.se

Topcon France
BAT A1; 3 route de la révolte, 93206 Saint Denis Cedex
T: +33-(0)1-49212323; F: +33-(0)1-49212324
topcon@topcon.fr; www.topcon-medical.fr

Topcon (Great Britain) Ltd.
Topcon House; Kennet Side; Bone Lane; Newbury
Berkshire RG14 5PX; United Kingdom
T: +44-(0)1635-551120; F: +44-(0)1635-551170
medical@topcon.co.uk; www.topcon.co.uk

FS-1 Series

Floor Stand



A versatile column and a stable baseplate

IS-1 Series ophthalmic chairs, such as the OC-10 or OC-12. The baseplate with integrated wheels permits an easy displacement of the ophthalmic chair for easy wheelchair accessibility. The optional dark grey cabinet accommodates Topcon's CV-5000 controller KB-50S as well as the CV-5000 power supply for easy print-out access.

Topcon's CV-5000 refraction system compatible

The FS-1 floor stand consists of a versatile column and a stable baseplate, providing an economical solution suitable for the examination room as an alternative refraction lane. The FS-1 has a small footprint and accepts several models of phoropter holders such as balanced phoropter arm or a parallel phoropter arm as well as a chart projector bracket and a convenient reading light. The up-light fits seamlessly in the FS-1 design providing a homogenous room light. The FS-1 can be combined with Topcon's OC-6 ophthalmic chair or one of the



- » Small footprint
- » Economical alternative refraction lane
- » Column guided cable management
- » Variety of accessories
- » Up-light room illumination
- » Right and left hand use
- » Wheelchair accessible

OC-6



With foldable arm rests

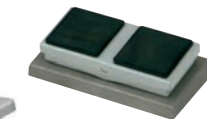


Colors

optional accessories



Footrest



Up-down foot switch



OC-6 base plate available with or without wheels

OC-10 / OC-12



OC-10 without arm rests
OC-12 with arm rests

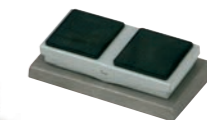


Colors

optional accessories



Footrest for OC-10/12



Up-down foot switch



OC-10/12 base plate, available with or without wheels

Phoropter supports



VT-670 mechanical lock arm



VT-671 balance arm



VT-72 Linear arm

FS-1 optional accessories



Lamp & projector bracket



LED reading light



FS-1 dark grey cabinet