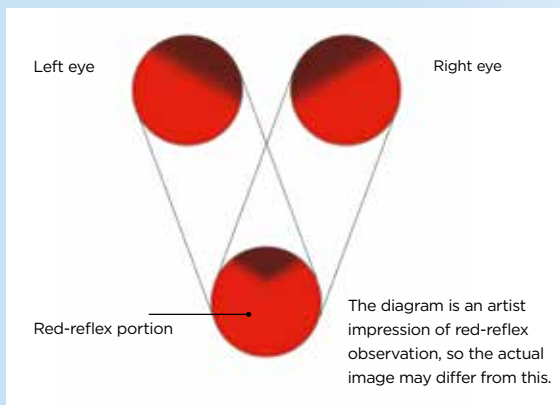


# OMS-90

Operation Microscope



An innovative concept providing optimal observation and versatile operation



### Stain-proof coated objective lens (F=200 mm)

The stain-proof coating is applied to help retain a clear viewing area. The focal length (F=200 mm) provides the standardized comfortable working distance.

## OMS-90 Operation Microscope

### Features

The following unique features are incorporated in the OMS-90 Operation Microscope

- | Coaxial illumination
- | Stain-proof coated objective lens
- | Parallel binocular tube
- | PD adjustment knob
- | Built in yellow filter
- | Compact base



### Coaxial illumination

The designed illumination system of the OMS-90 assures the finest optical performance. The optical system has been fitted with an innovative design that allows the surgeon to view a sharper image, with more clarity than ever before.

The illumination system of the OMS-90 produces a superior red-reflex image for assistance in surgical procedures. As shown in the diagram, the innovative system design merges two improved field of views to produce an enhanced red-reflex and unparalleled image quality.

### Parallel binocular tube

The parallel binocular tube provides a natural stereo-scopic view.

### PD adjustment knob

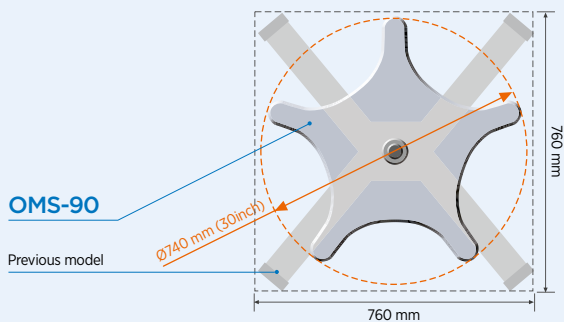
The built in PD adjustment feature offers easy alignment.

# Features



## Built in yellow filter

The flip in/out yellow filter is built into the system to allow full protection against retina phototoxicity.



## Compact base

The sturdy and compact Ø740 mm (30 inch) base is designed for optimal use of limited operating room floor space.

# Optional accessories



## X-Y Translator

The X-Y translator adapter provides precise movement around the surgical field. A one touch recentering button is provided.



## Assistant's microscope

The parallel binocular assistant's microscope provides easy positioning, a wide field of view and 30° of rotation.



## Oblique illuminator

The oblique illuminator offers a supplemental light source for indirect illumination. The slit will rotate 30° and adjust from 0 to 20 mm in width.

## Beam splitter (80/20 or 50/50)

An 80/20 or a 50/50 beam splitter is available for the attachment of documentation devices.

## Accessory adapter model 2

The accessory adapter is required to attach the assistant's microscope and/or the oblique illuminator to the OMS-90.

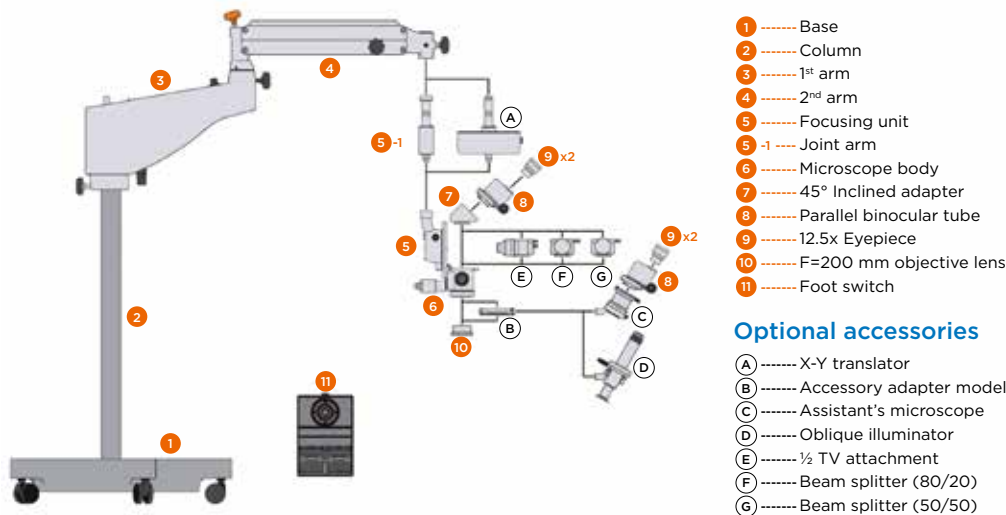
## ½ TV attachment

The ½ TV attachment incorporates a built in beam splitter and lets the user connect a ½ inch C-mount camera to the OMS-90.

## Specifications

<b>Table title</b>	
<b>Binocular tube</b>	Parallel 45° inclined binocular tube
<b>Objective lens</b>	F=200 mm
<b>Eyepieces</b>	12.5x
<b>Magnification change type</b>	Drum type with 5 changes
<b>Total magnification</b>	3.4x, 5.3x, 8.5x, 13.6x, 21.2x
<b>Field of view</b>	Ø66.3 mm, Ø42.3 mm, Ø26.3 mm, Ø17.1 mm, Ø10.3 mm
<b>X-Y Translator (option)</b>	Range: ±25 mm
<b>Light source</b>	12V 100W halogen lamp (light guided system) (one touch changeable two lamps)
<b>Filter</b>	Built in: Heat-absorbing and UV cut filters. Flip-in/out: yellow filter
<b>Length</b>	1 <sup>st</sup> arm: 400 mm; 2 <sup>nd</sup> arm: 560 mm
<b>Rotational angle</b>	1 <sup>st</sup> arm: 360°; 2 <sup>nd</sup> arm: 300°
<b>Base dimensions</b>	Ø740 mm (30 inch)
<b>Primary voltage</b>	AC100-120V or AC220-240V
<b>Power frequency</b>	50/60Hz
<b>Maximum power consumption</b>	280VA 740 mm (30 inch)
<b>Weight</b>	97 kg

## Standard accessories



### Optional accessories

**IMPORTANT** Subject to change in design and/or specifications without advanced notice. In order to obtain the best results with this instrument, please be sure to review all user instructions prior to operation. Medical device Class I. Manufacturer: Topcon Corporation.



**Topcon Europe Medical B.V.**  
 Essebaan 11; 2908 LJ Capelle a/d IJssel; P.O. Box 145;  
 2900 AC Capelle a/d IJssel; The Netherlands  
 Phone: +31-(0)10-4585077; Fax: +31-(0)10-4585045  
 E-mail: medical@topcon.eu; www.topcon-medical.eu

**Topcon Danmark**  
 Præstemarksvænge 25; 4000 Roskilde, Denmark  
 Phone: +45-46-327500; Fax: +45-46-327555  
 E-mail: info@topcon.dk  
 www.topcon.dk

**Topcon Scandinavia A.B.**  
 Neogatan 2; P.O. Box 25; 43151 Mölndal, Sweden  
 Phone: +46-(0)31-7109200; Fax: +46-(0)31-7109249  
 E-mail: medical@topcon.se; www.topcon.se

**Topcon España S.A.**  
 HEAD OFFICE; Frederic Mompou, 4;  
 08960 Sant Just Desvern; Barcelona, Spain  
 Phone: +34-93-4734057; Fax: +34-93-4733932  
 E-mail: medica@topcon.es; www.topcon.es

**Topcon Italy**  
 Viale dell' Industria 60;  
 20037 Paderno Dugnano, (MI) Italy  
 Phone: +39-02-9186671; Fax: +39-02-91081091  
 E-mail: info@topcon.it; www.topcon.it

**Topcon France Medical S.A.S.**  
 BAT A1; 3 Route de la Révolte, 93206 Saint Denis Cedex  
 Phone: +33-(0)1-49212323; Fax: +33-(0)1-49212324  
 E-mail: topconfrance@topcon.com;  
 www.topcon-medical.fr

**Topcon Deutschland GmbH**  
 Hanns-Martin-Schleyer Strasse 41;  
 D-47877 Willich, Germany  
 Phone: (+49) 2154-885-0; Fax: (+49) 2154-885-177  
 E-mail: info@topcon-medical.de; www.topcon-medical.de

**Topcon Polska Sp. z o.o.**  
 ul. Warszawska 23; 42-470 Siewierz; Poland  
 Phone: +48-(0)32-670-50-45; Fax: +48-(0)32-671-34-05  
 www.topcon-polska.pl

**Topcon Great Britain Medical Ltd.**  
 Topcon House; Kennet Side; Bone Lane; Newbury  
 Berkshire RG14 5PX; United Kingdom  
 Phone: +44-(0)1635-551120; Fax: +44-(0)1635-551170  
 E-mail: medical@topcon.co.uk; www.topcon.co.uk

**Topcon Ireland**  
 Unit 276, Blanchardstown; Corporate Park 2  
 Ballycoolin; Dublin 15, Ireland  
 Phone: +353-18975900; Fax: +353-18293915  
 E-mail: medical@topcon.ie; www.topcon.ie